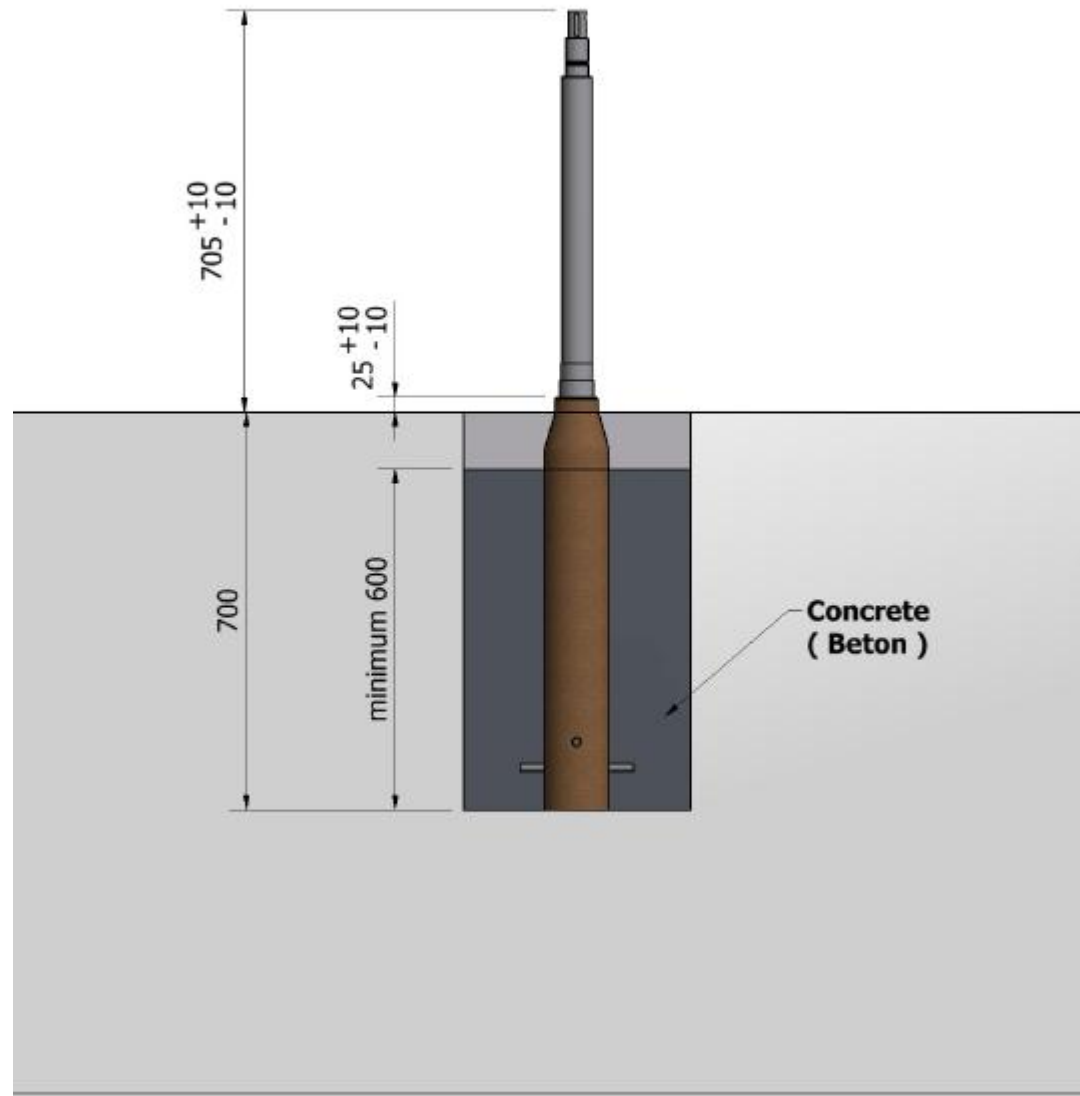


Body already with bottom bearing and seal



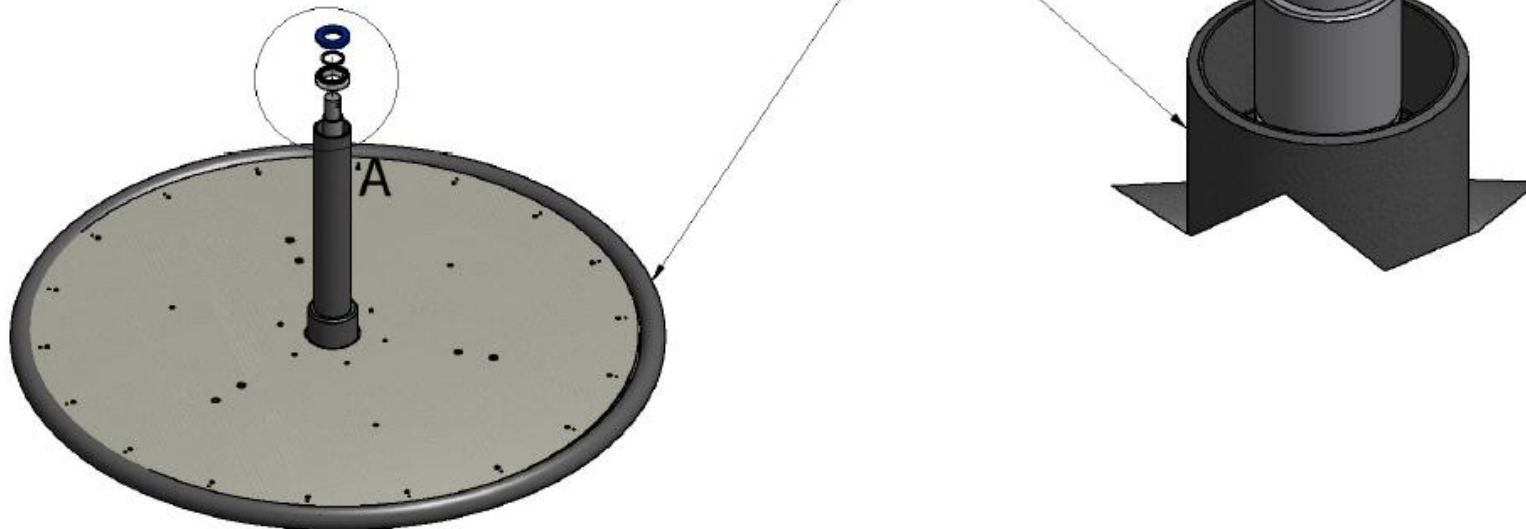
A ( 1 : 2 )

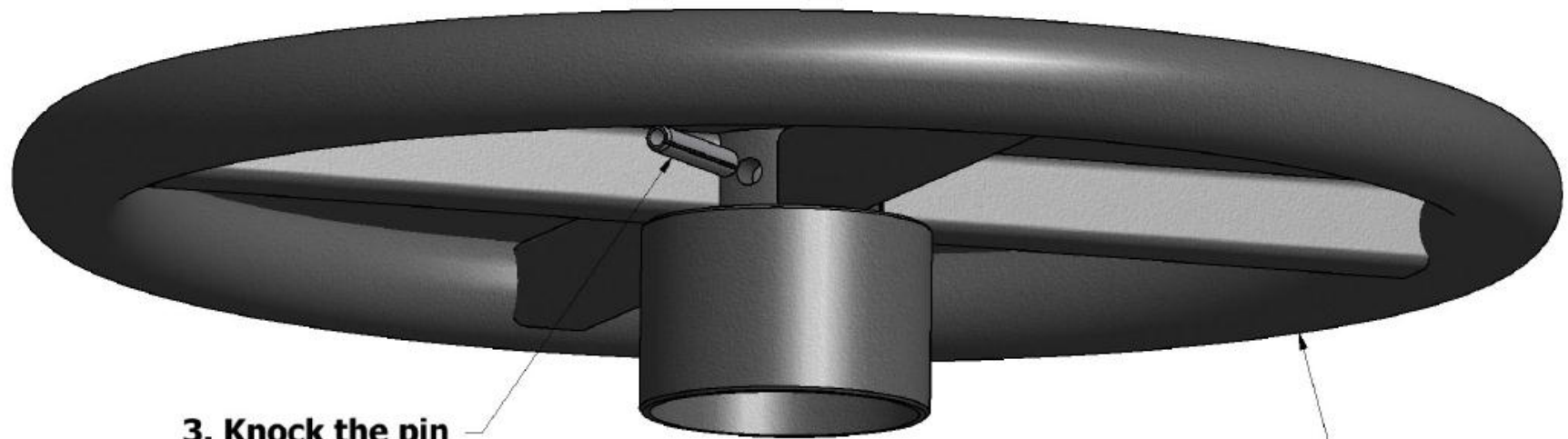
4. Push seal

3. Push Seger's ring  
(look for cut on the axis)

2. Push bearing on axis

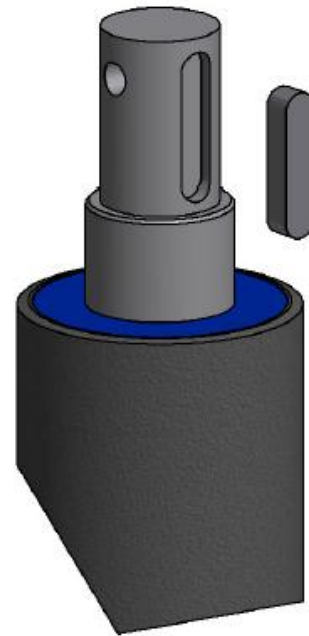
1. Put body of caroussell on the axis  
(Body already with bottom bearing and seal)





**3. Knock the pin  
until its fully inside**

**2. Install the disc**



**1. Insert the pin in the nest  
( already installed )**