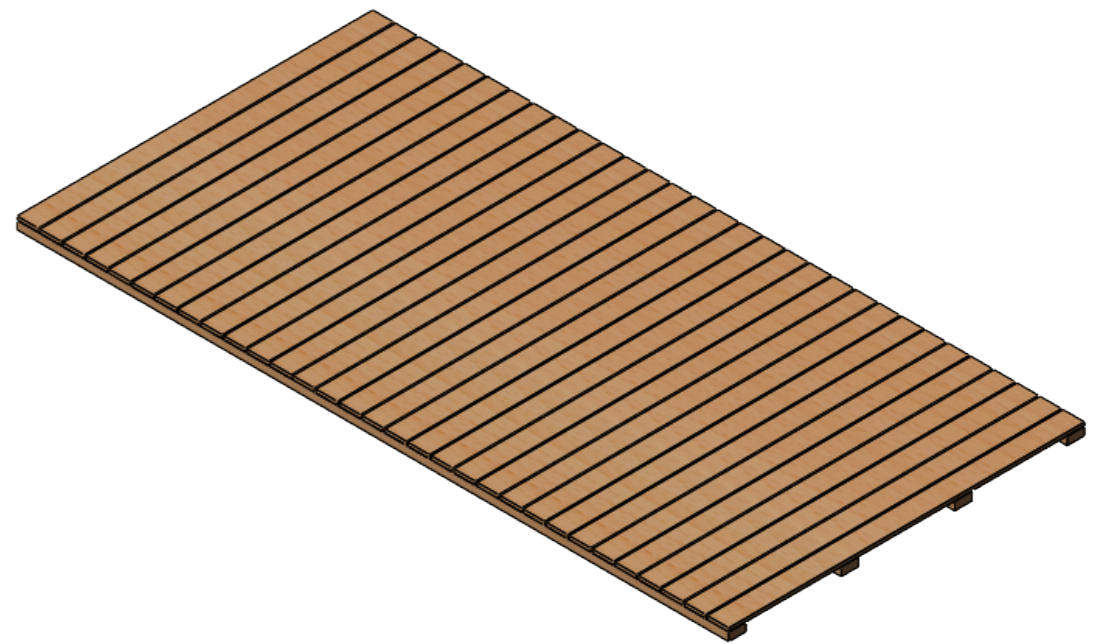
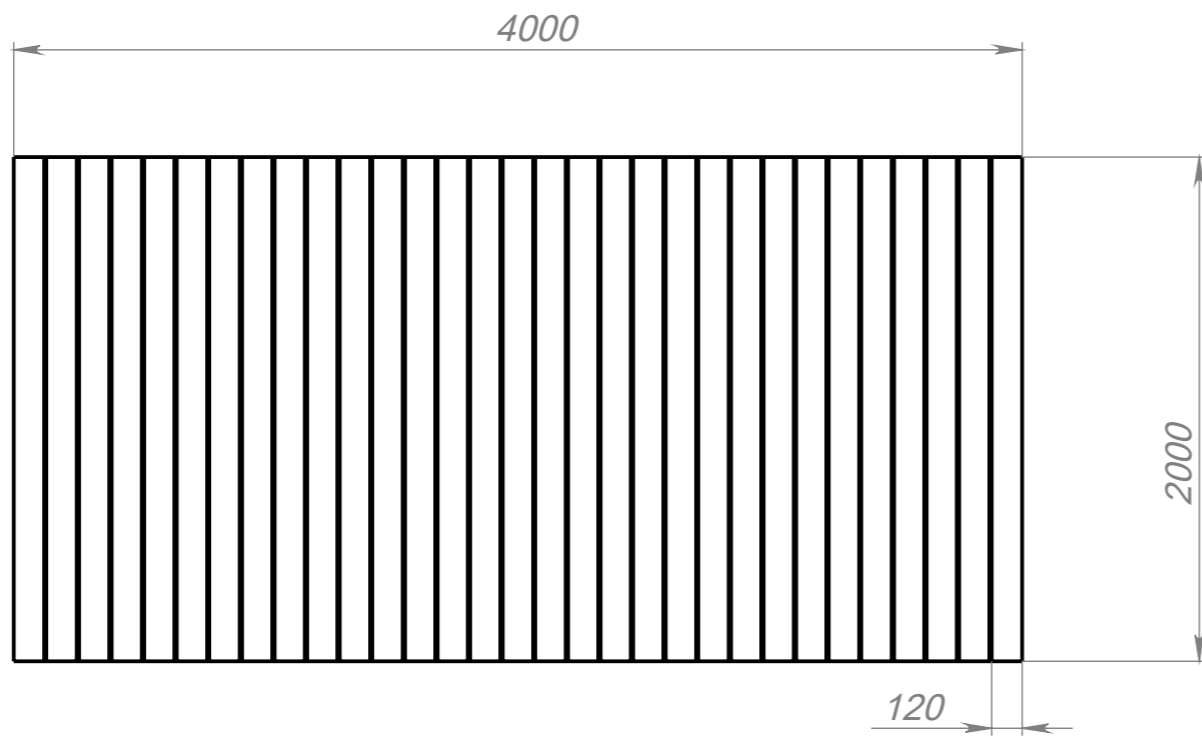
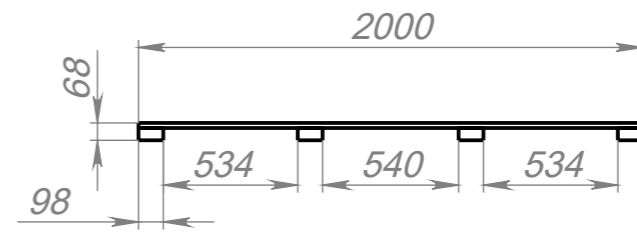
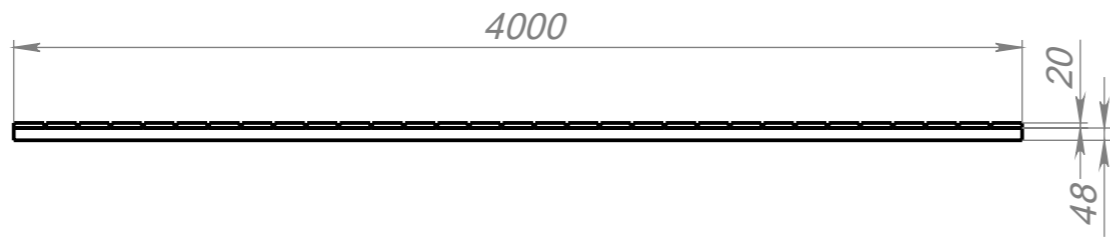


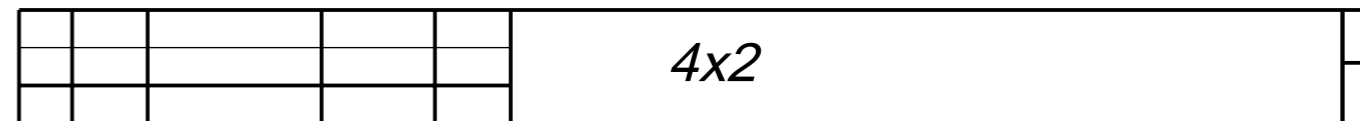
A

2

1

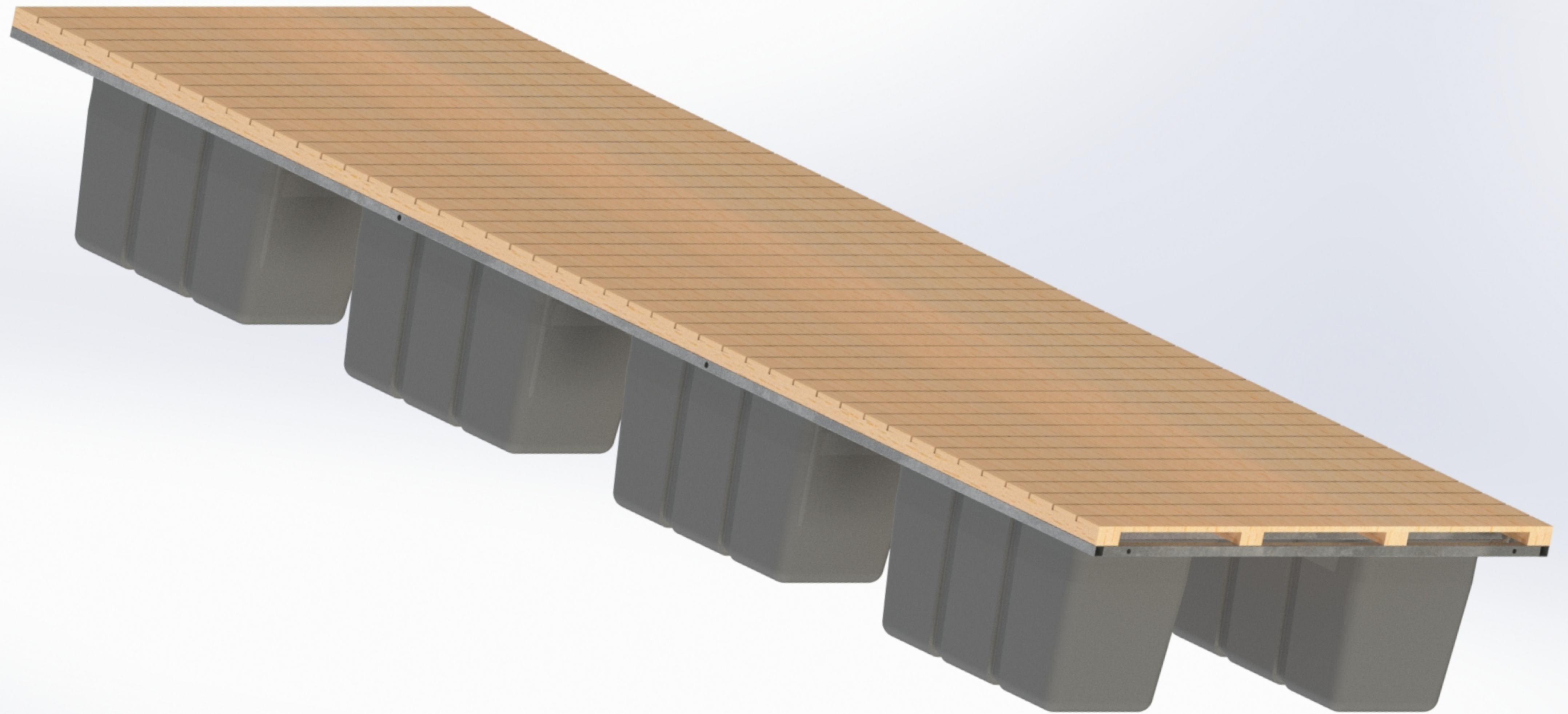


A



2

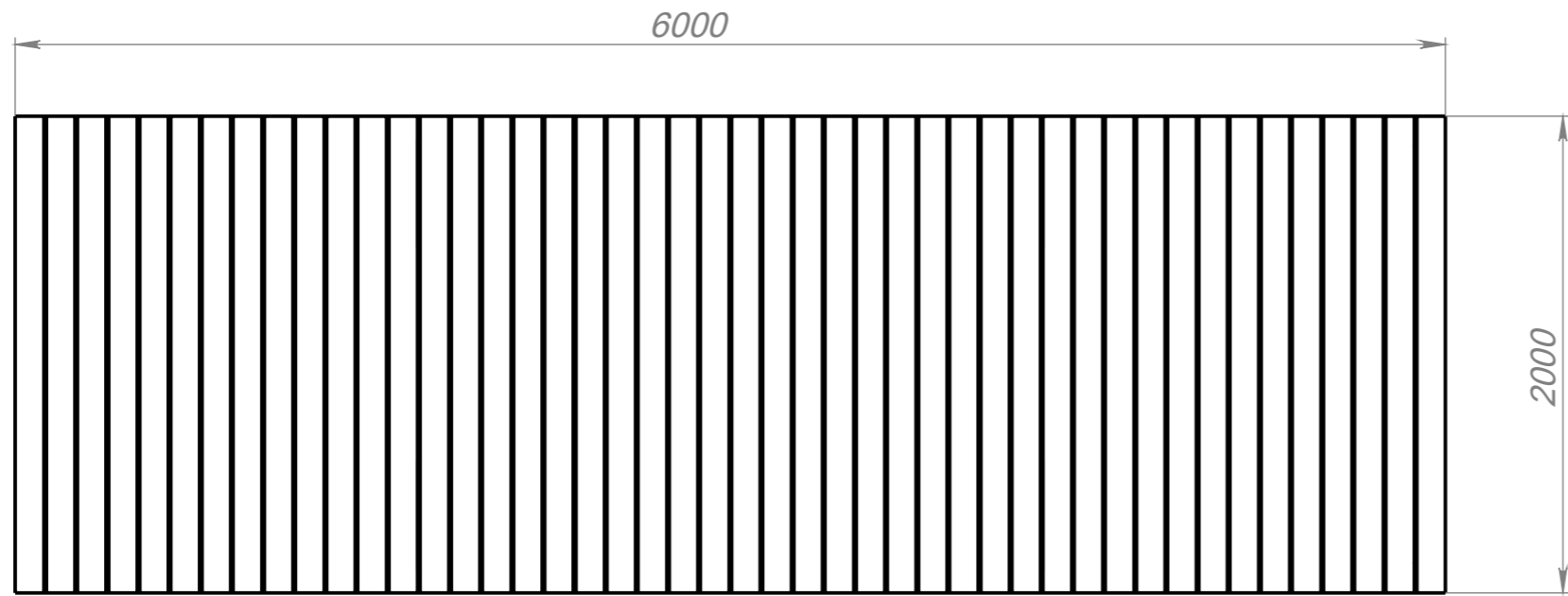
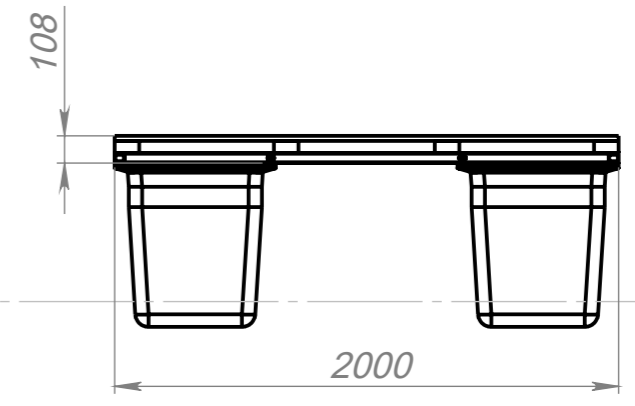
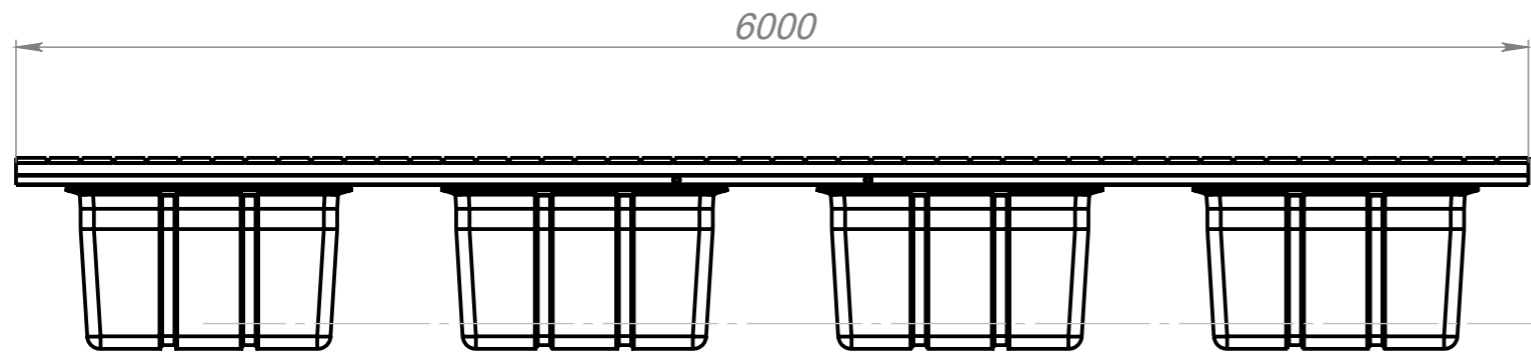




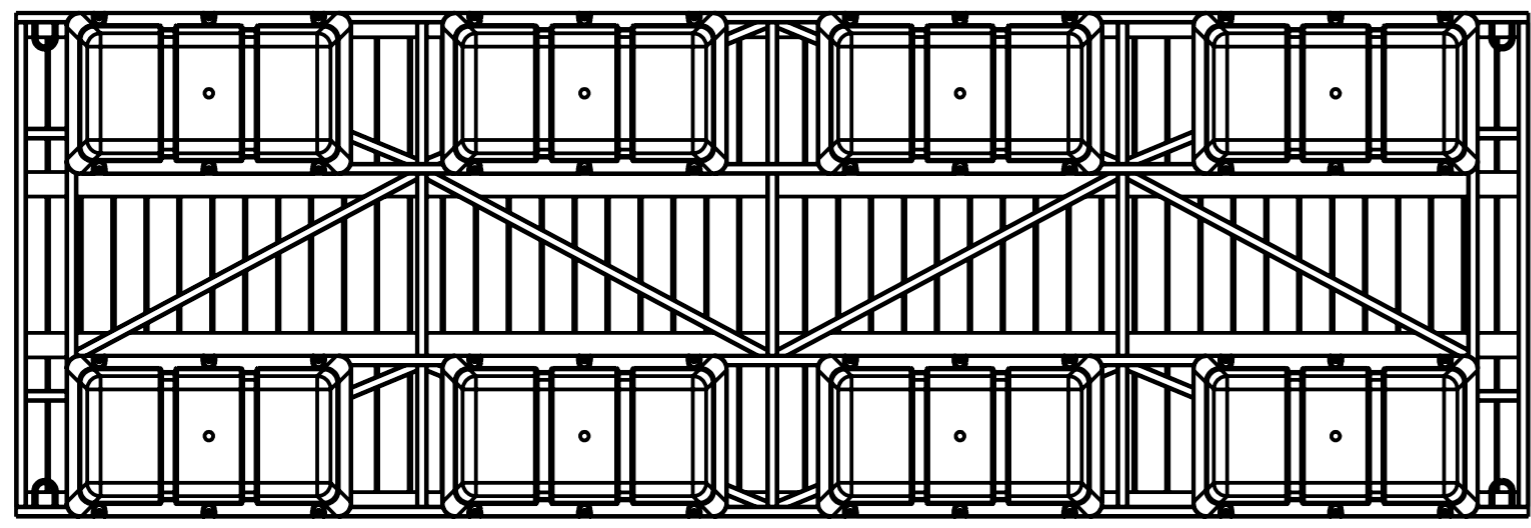


2

1



freeboard

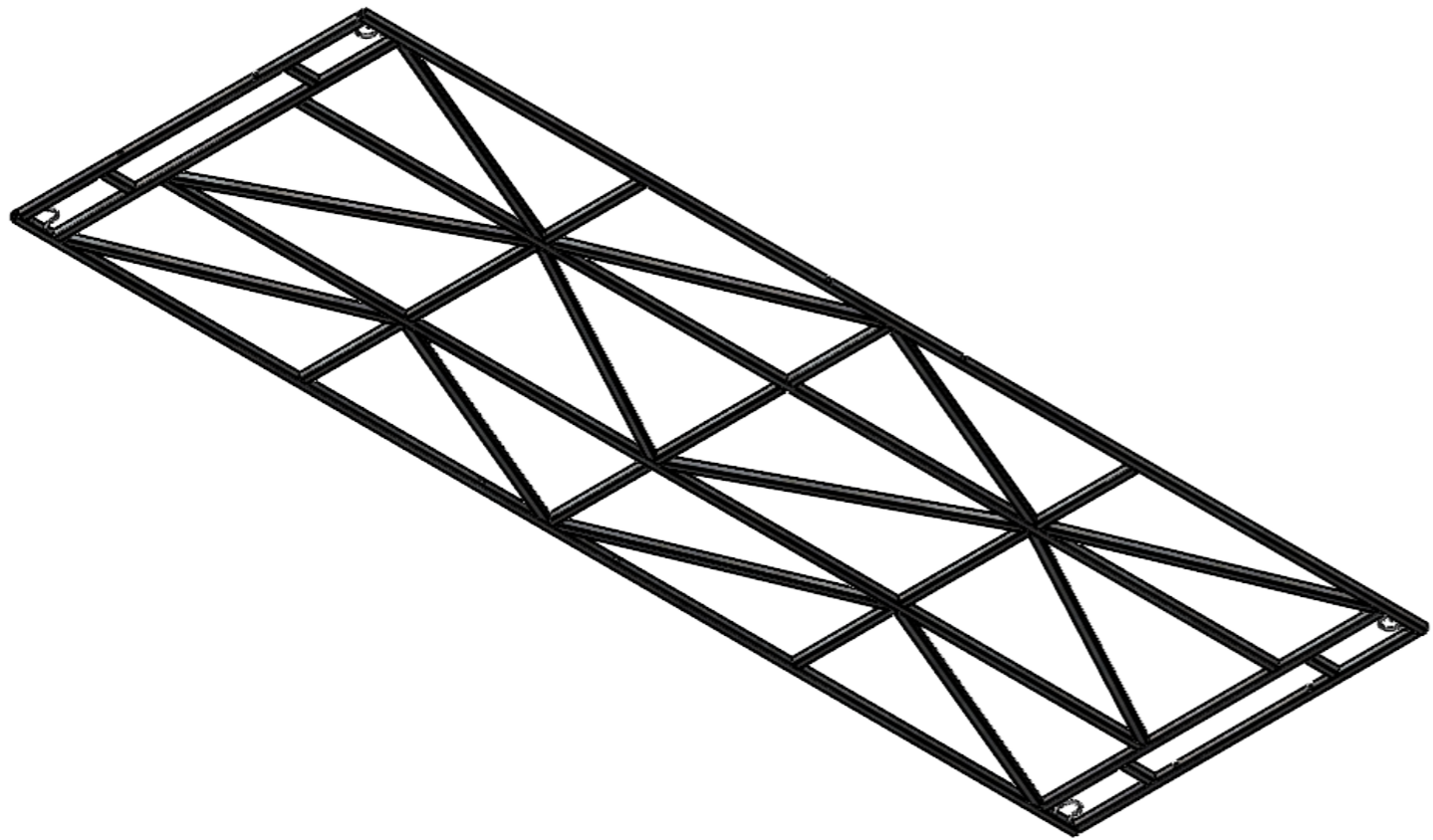
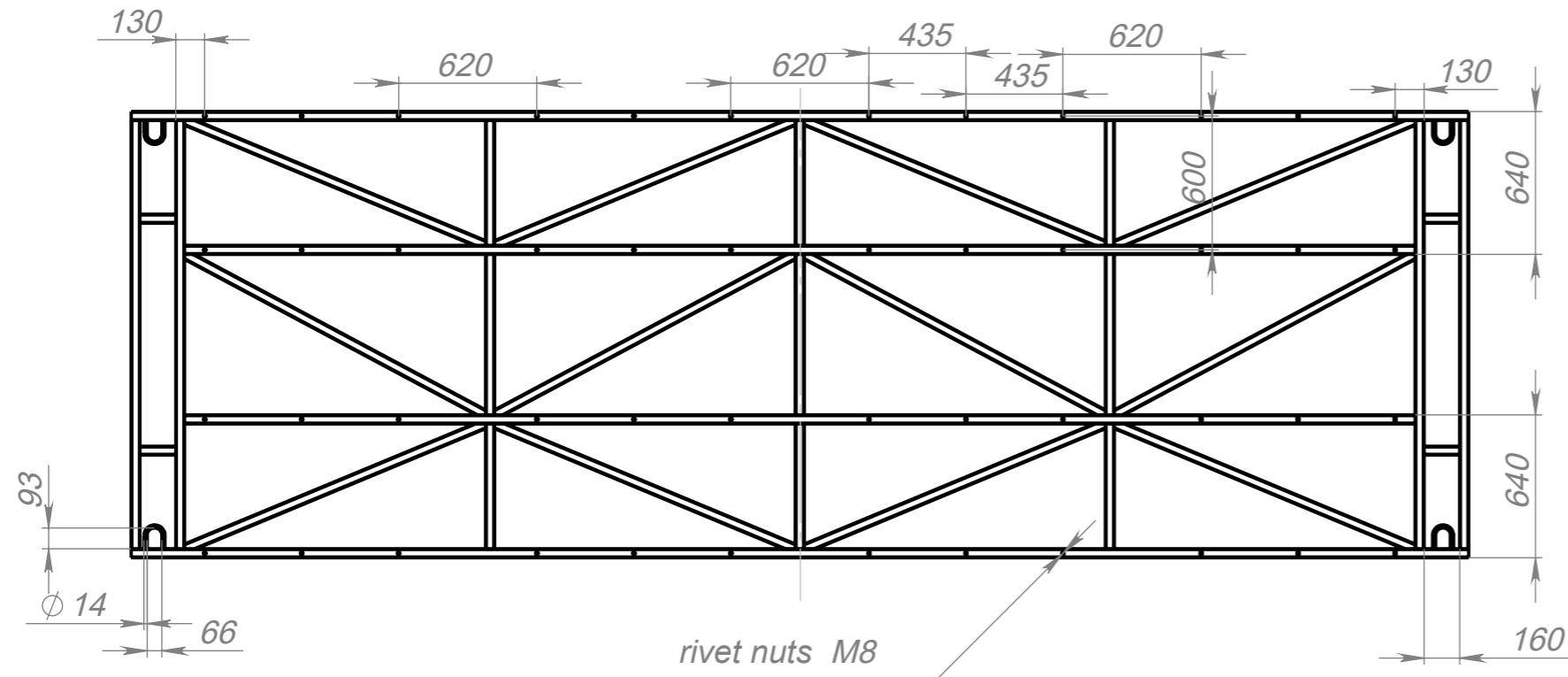
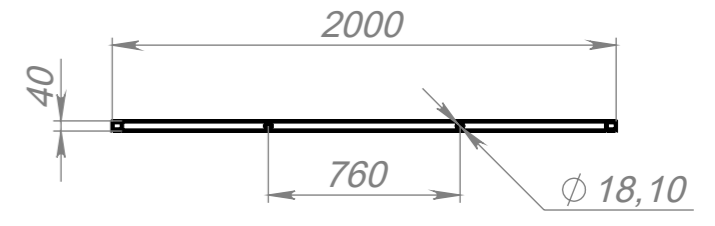
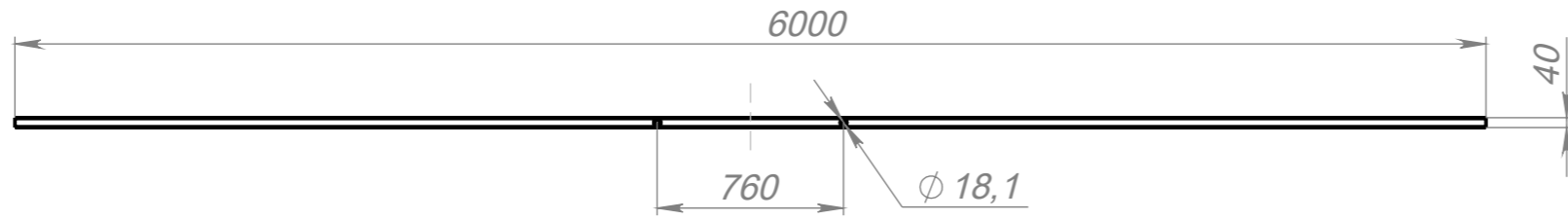


Weight of metal and decking - 415 kg  
 Weight of metal - 192 kg  
 Decking square - 12 m<sup>2</sup>



6x2

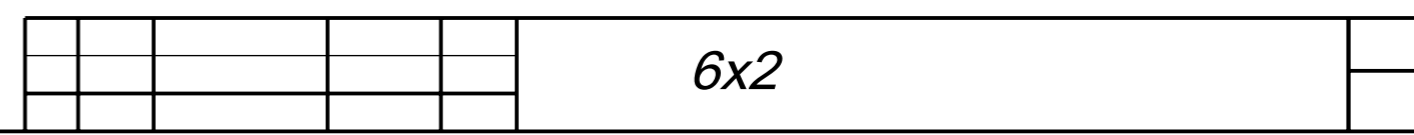
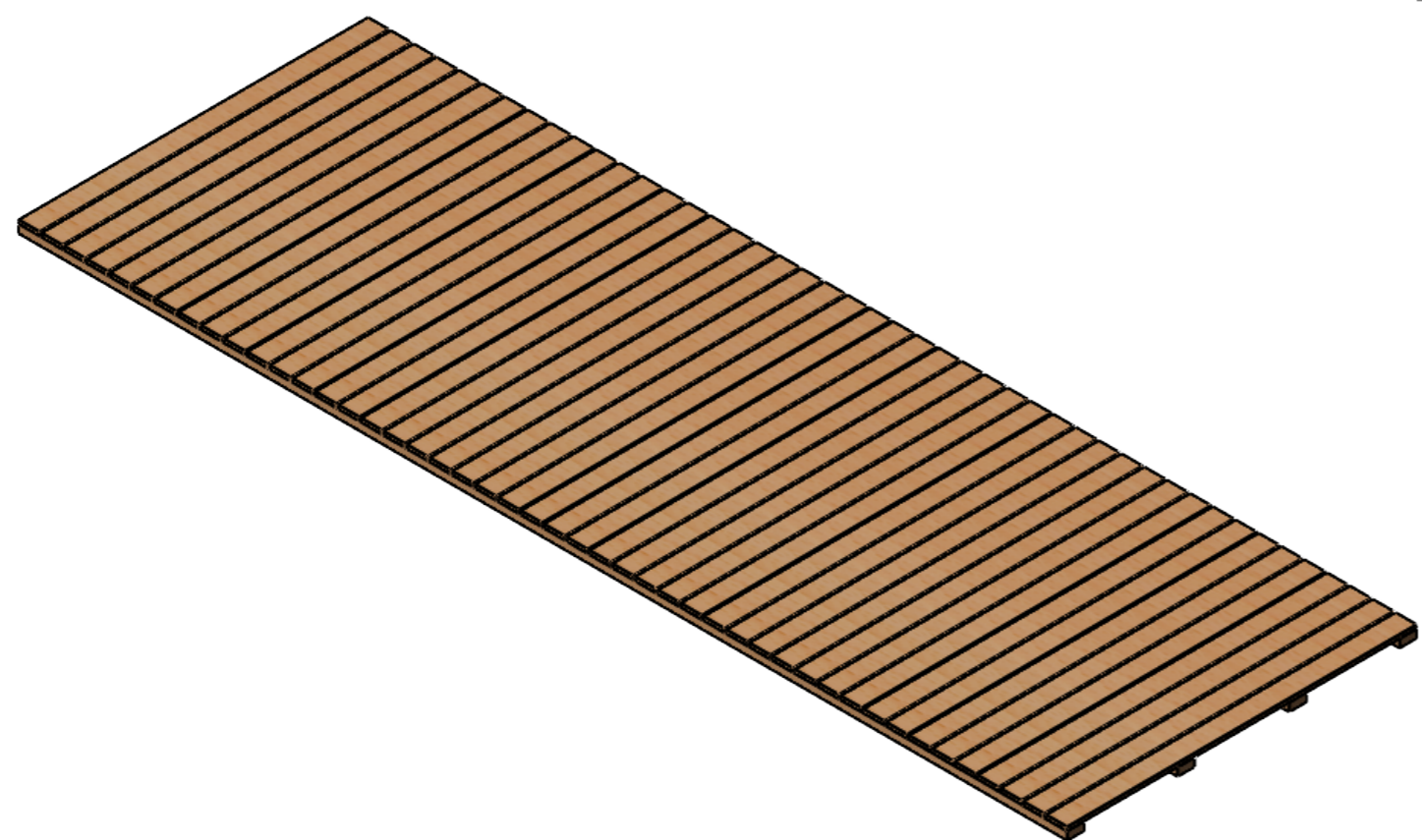
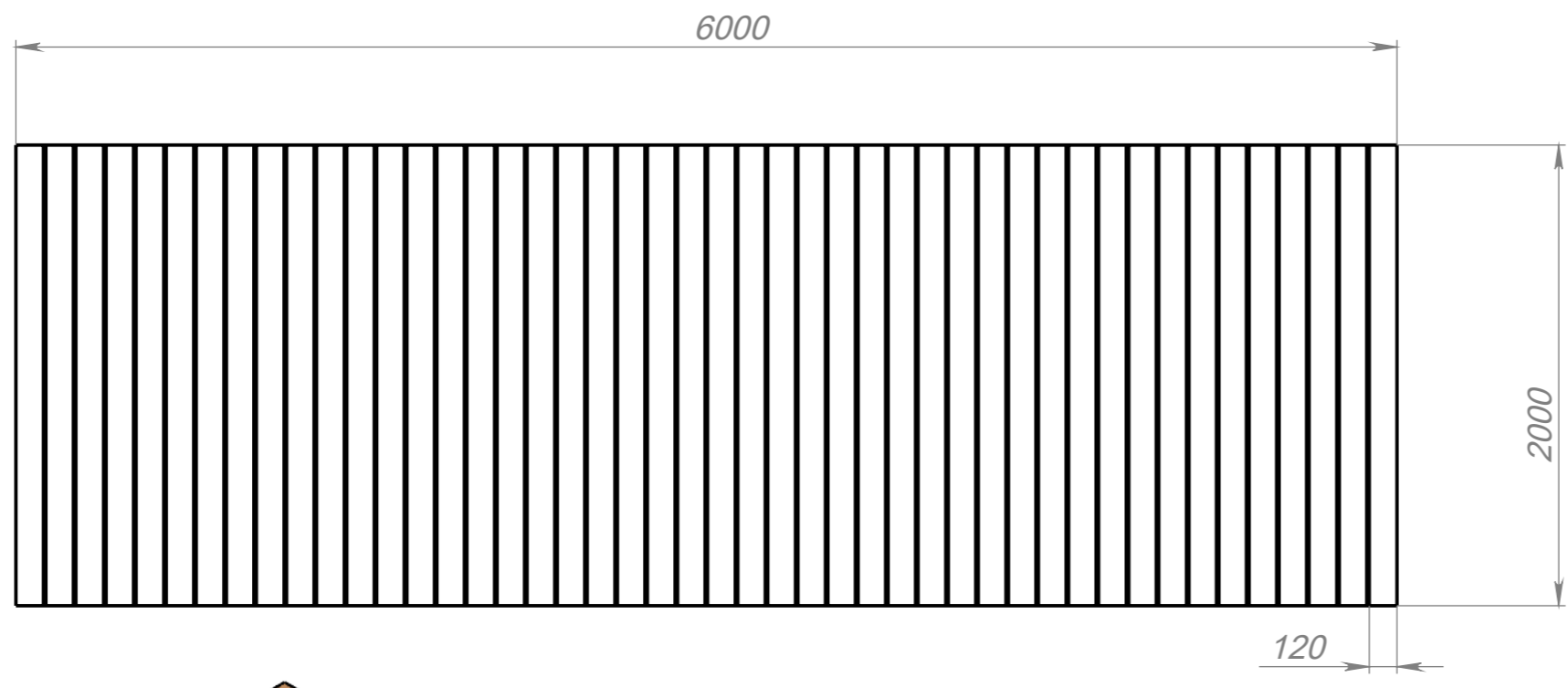
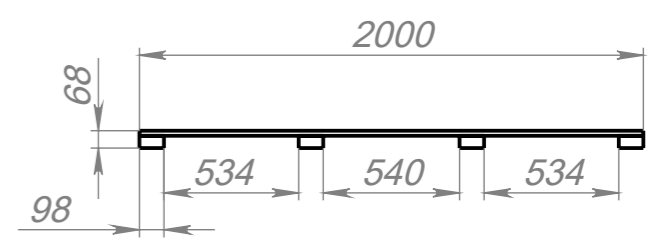
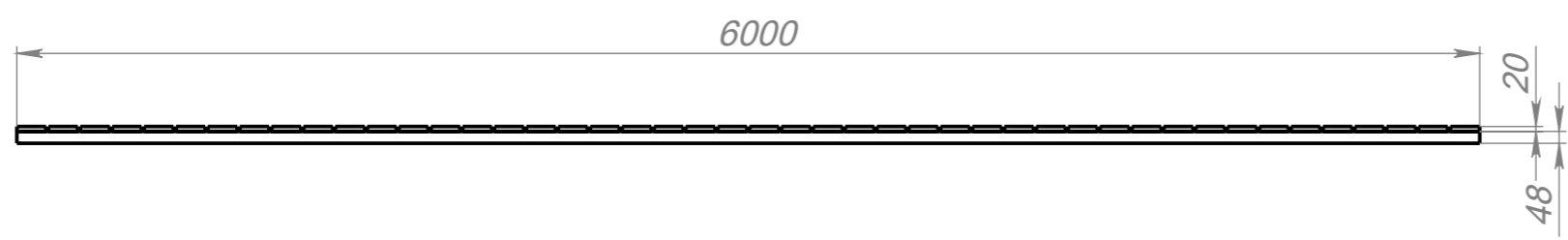
2




6x2

2

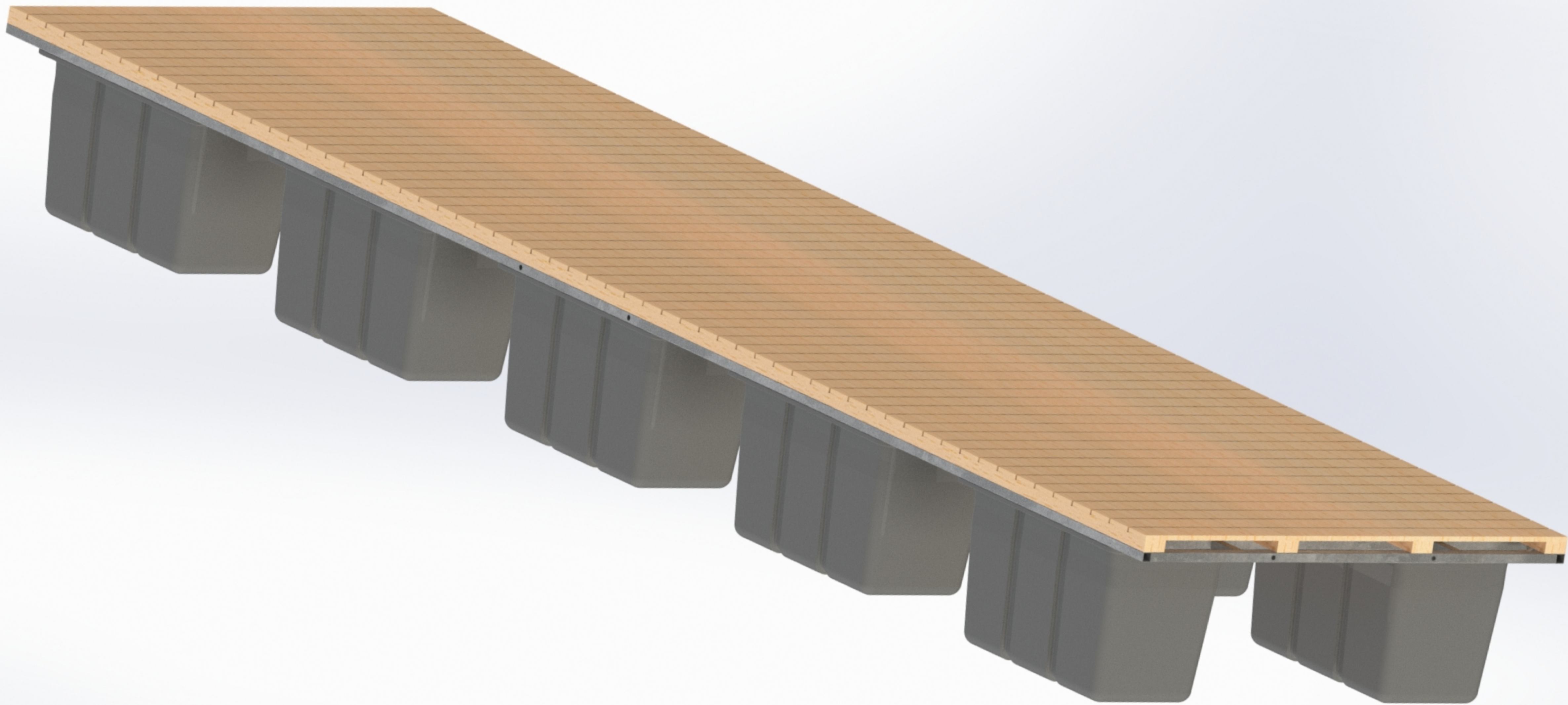
1



2

A

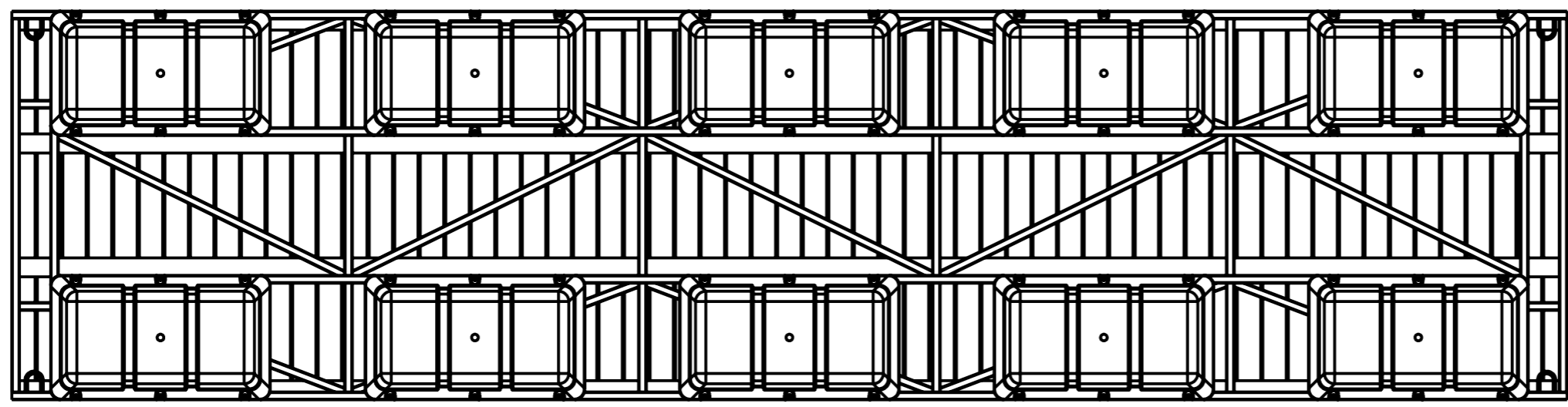
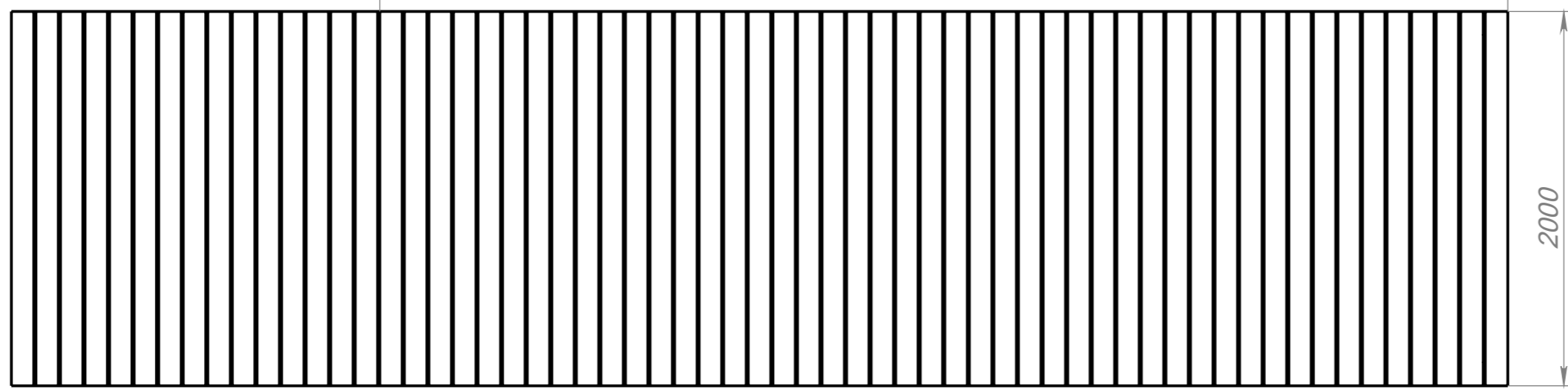
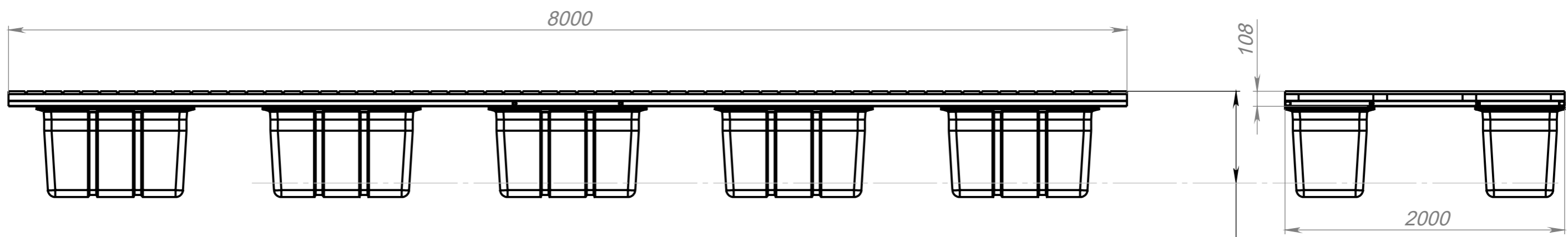




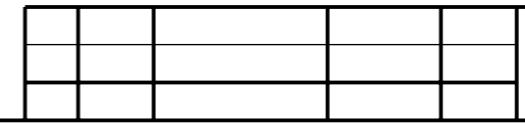


2

1



Weight of metal and decking - 552 kg  
 Weight of metal - 255 kg  
 Decking square - 16M2



8x2

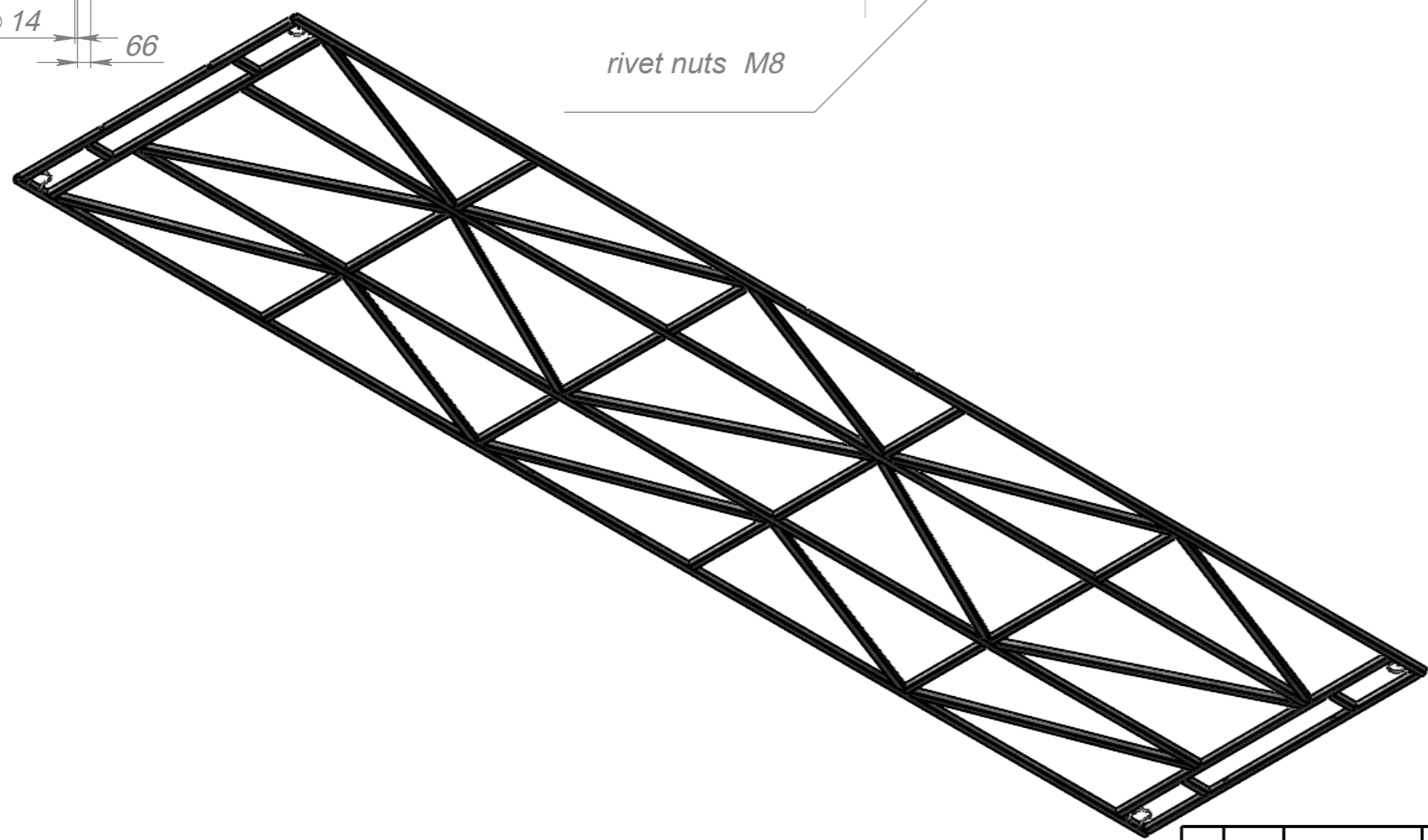
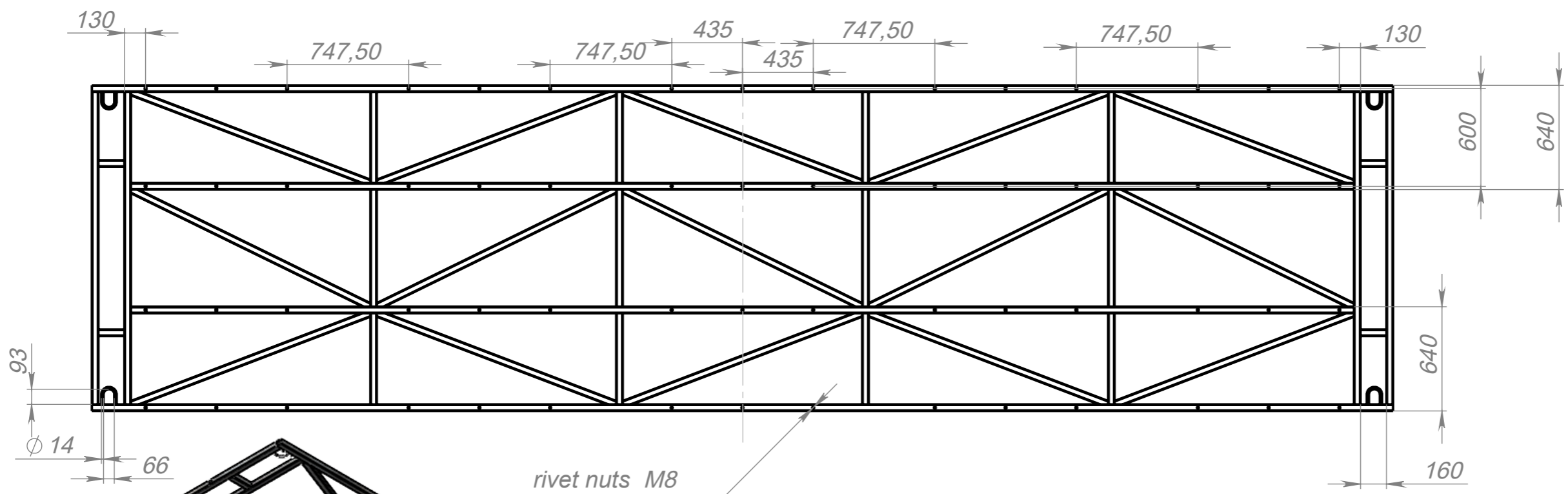
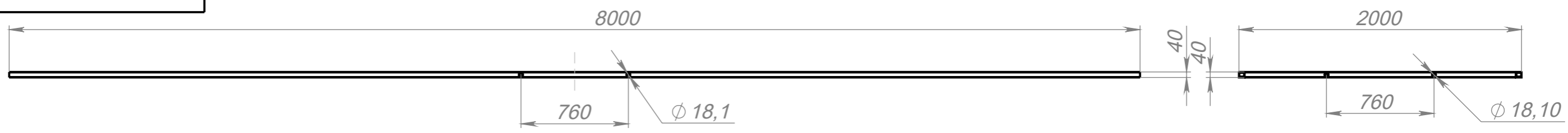
2

1



2

1




8x2

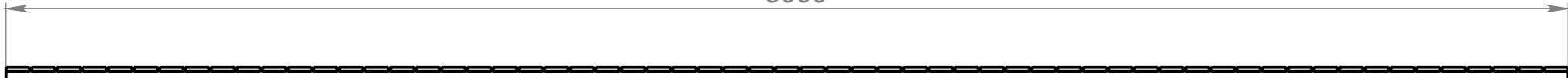
2

1

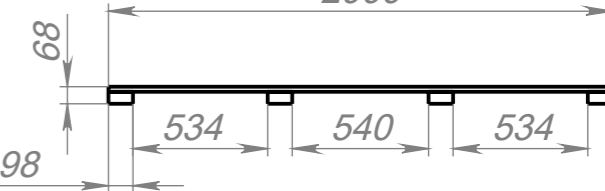
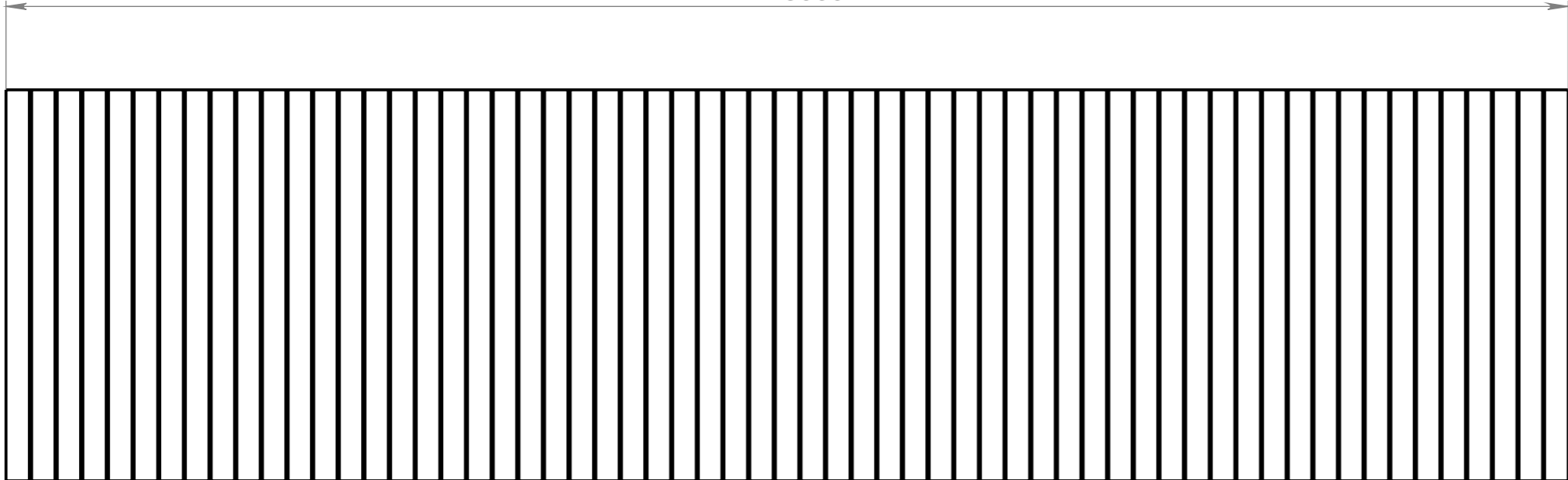
2

1

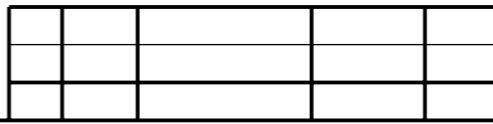
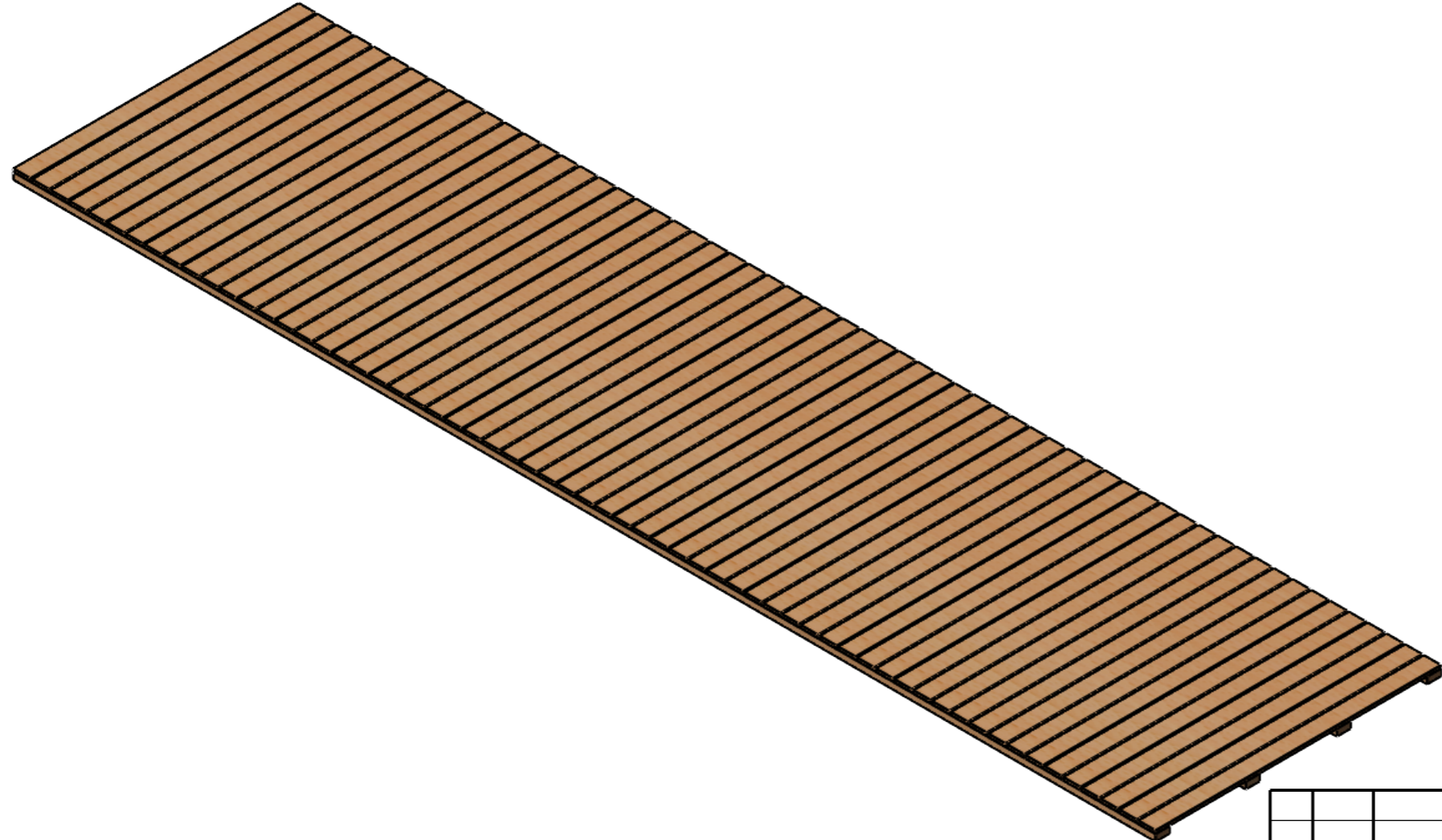
8000



8000



120



8x2

2