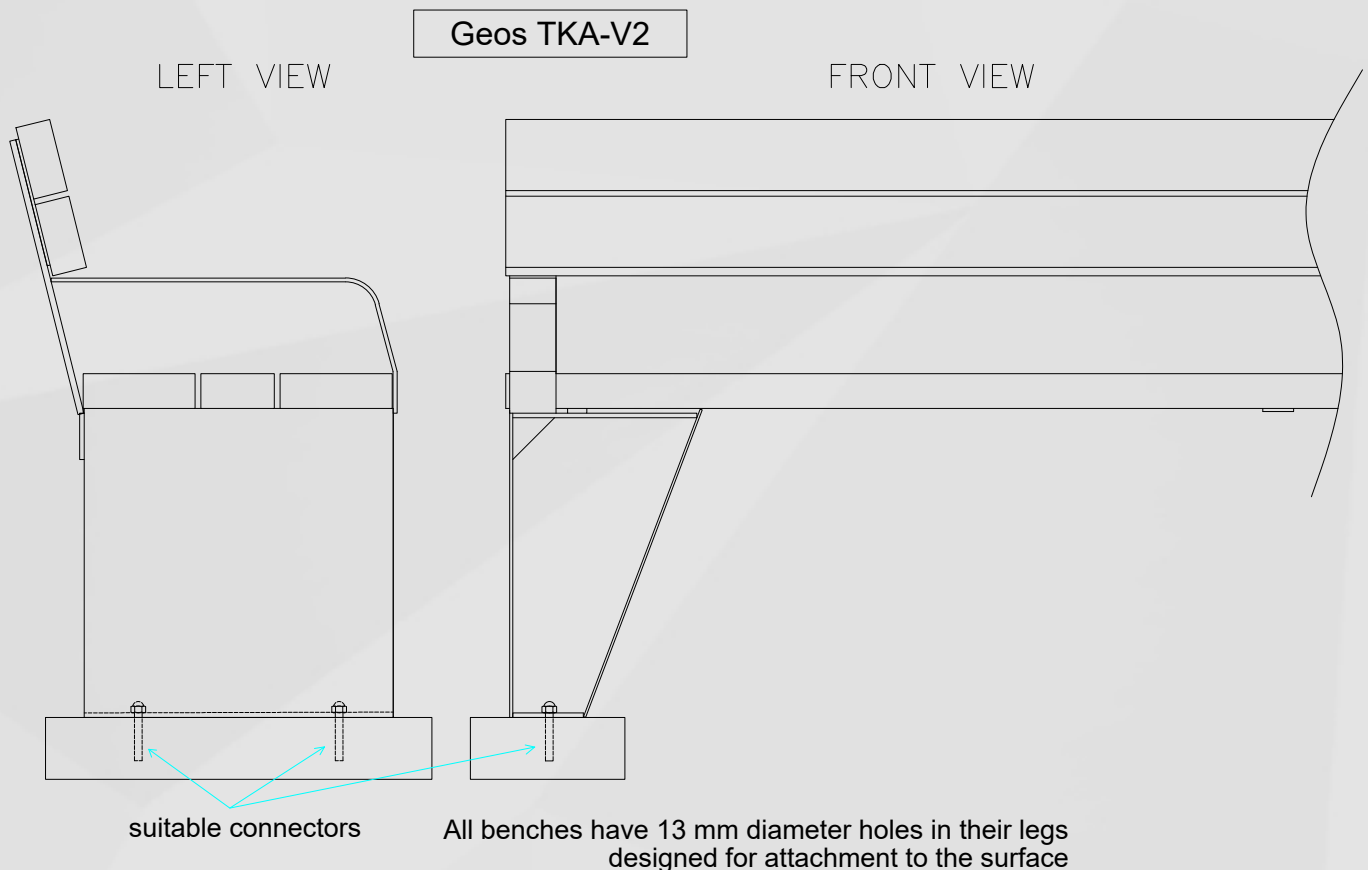
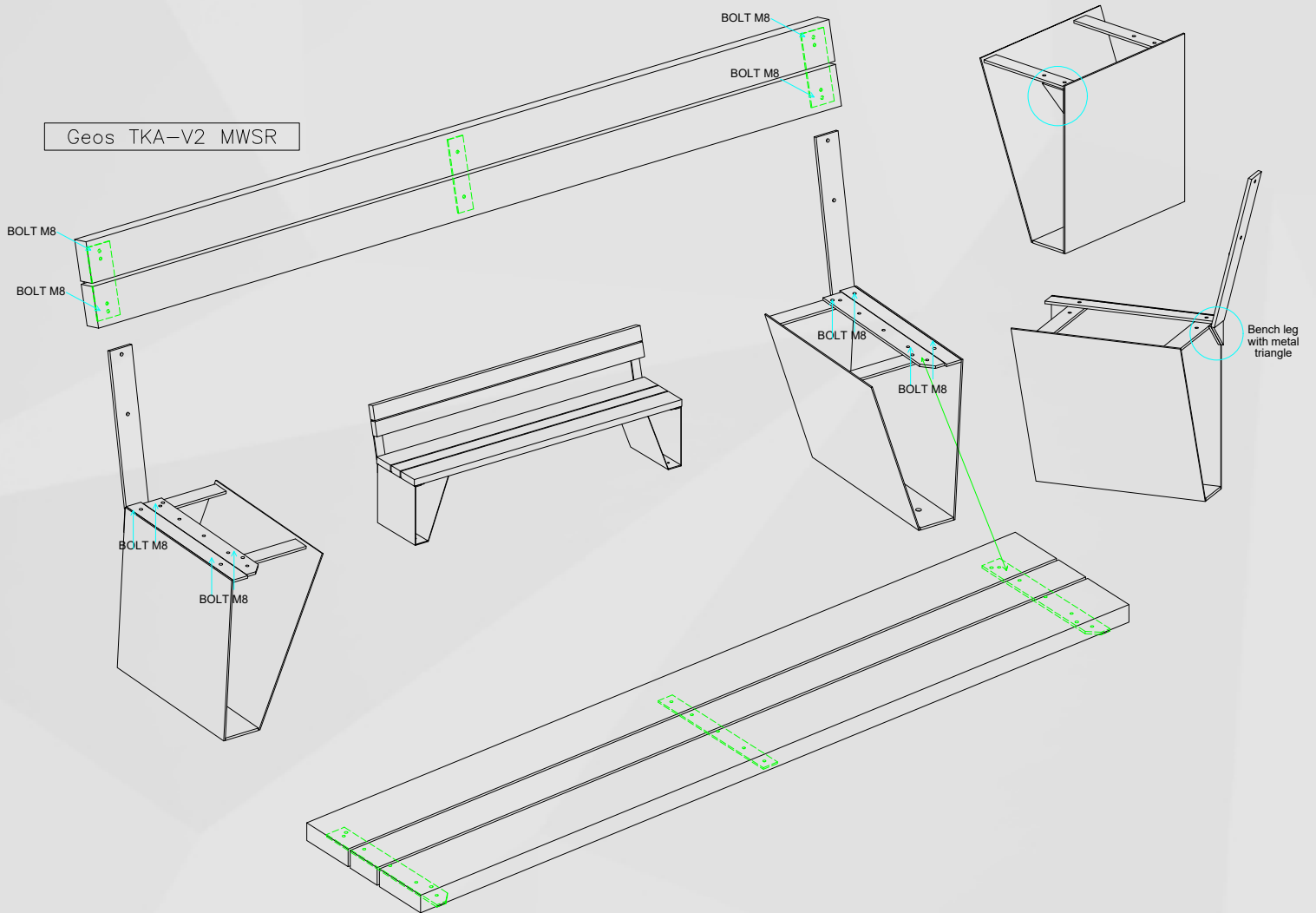


Assembly and Installation Instructions for Geos TKA Bench Series

All products are supplied in partially disassembled form. The package includes all the necessary hardware for assembly. The products should be assembled according to the assembly drawing. After assembly, it is necessary to determine the surface on which the products will be installed. All benches have 13 mm diameter holes in their legs designed for attachment to the surface. Attachment to the surface can be done using anchors, concrete screws, or other suitable connectors that match the specific surface (Connection accessories are not included because they need to be chosen depending on the surface.).



Assembly Instructions for Geos TKA-V2 MWSR



Assembly Instructions for Geos TKA-V2 MWR

