



Ultimate Firewood Rack with Cover 2,4 m



90371EU



Two Way Adjustable Cover

High quality 300D polyester fabric cover. Innovative design adjusts to fit cut wood up to 50 cm. Easily slides up and down the frame with the height of the wood stack. Results - always dry usable wood.



U-Channel Tube Design

Ultra Duty 2,5 x 5,1 cm Rectangular U-Channel Tube delivers optimal strength and stability.

Premium Steel Frame

Industrial grade 16 Gauge high grade steel construction with baked in premium powder coat finish that looks great performs better. Resists chipping, peeling, rust and corrosion.

I-Beam Reinforcements

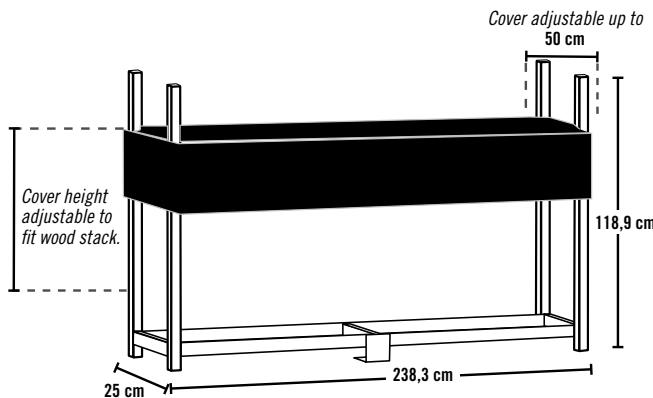
Reinforced I Beam spacers at each leg connection point keep the rack rock solid.



Easy assembly with just a 11 mm wrench – goes together in minutes. Open air design keeps wood off ground preventing insect infestation, mold growth and rotting. Excellent ventilation makes a great year round seasoning rack.



High Impact Retail Packaging



Package Includes

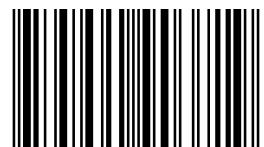
- 2,5 x 5,1 cm Rectangular Steel Frame
- 2 Way Adjustable Polyester Cover
- I-Beam Reinforcements
- Hardware Kit
- Easy step-by-step instructions

Product Specifications

238,3 x 25 x 118,9 cm

Packaging Details

Container Qty. (Est.)	948
Total Weight (Est.)	21,1 kg
Box Dimensions (Est.)	121,5 x 35 x 7 cm



6 775990 903719 >